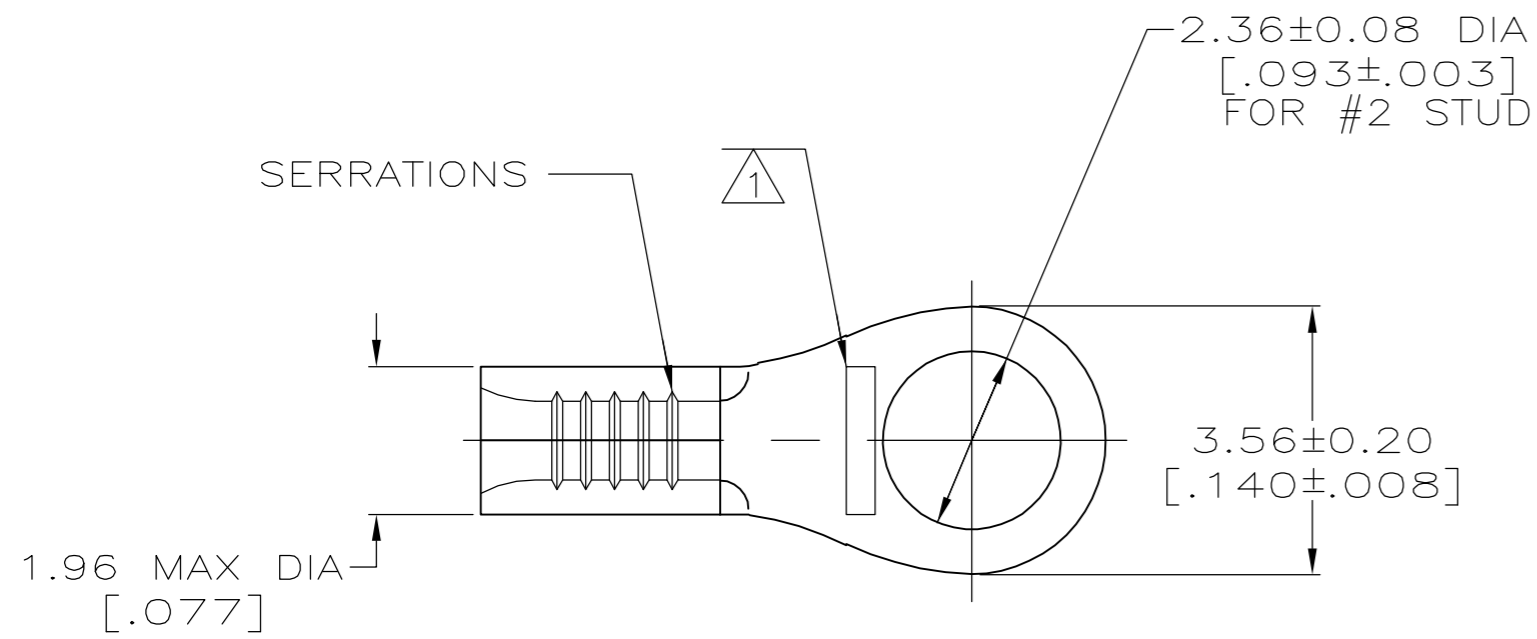
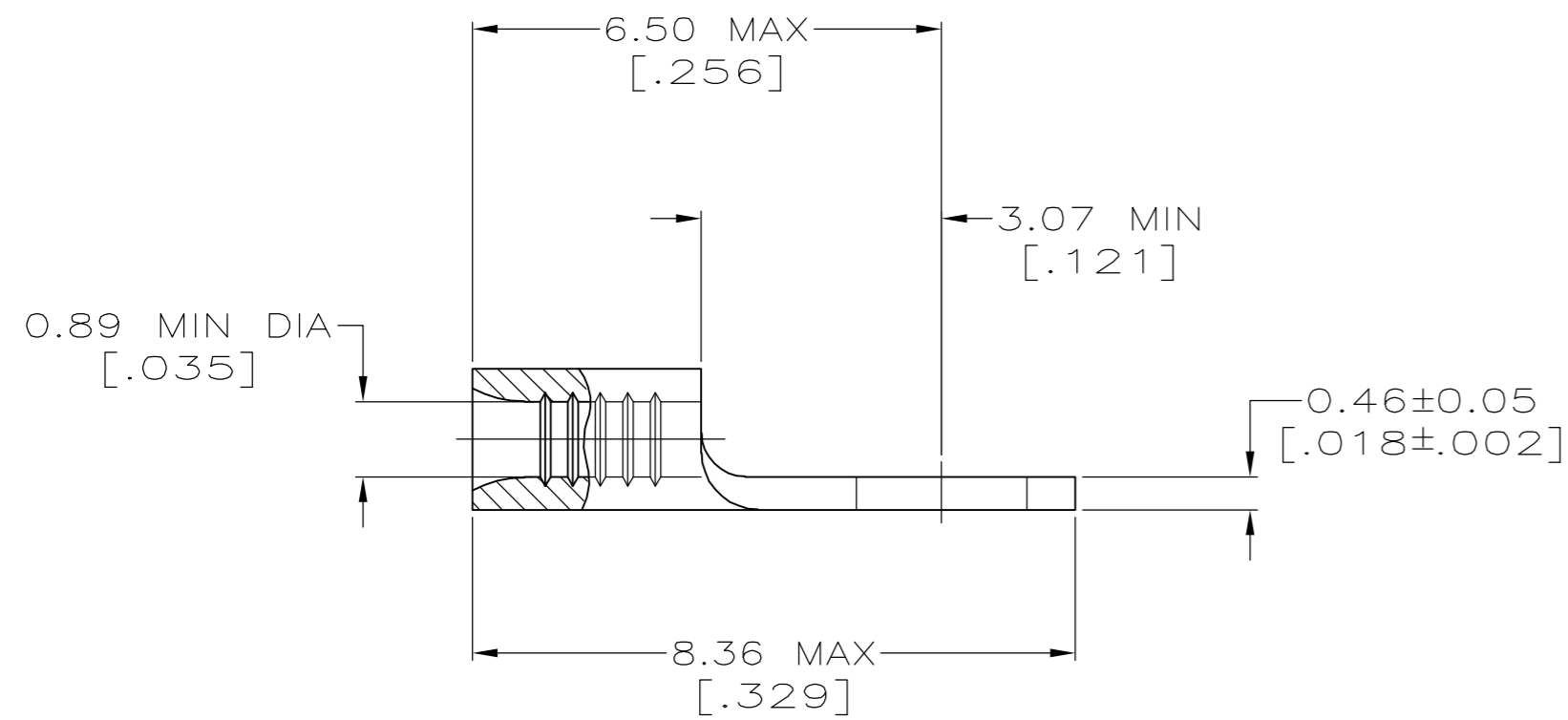


THIS DRAWING IS UNPUBLISHED. RELEASED FOR PUBLICATION
 © COPYRIGHT BY TYCO ELECTRONICS CORPORATION. ALL RIGHTS RESERVED.

LOC	DIST	REVISIONS			
P	LTR	DESCRIPTION	DATE	DWN	APVD
G	14	F	REVISED PER OG3A-0957-04	02DEC04	MF MS



- △1 STAMP AMP APPROX AS SHOWN
- △2 TIN PLATE 0.00254 [.000100] MIN THK PER ASTM B-545
- △3 NICKEL PLATE 0.00762 [.000300] MIN THK PER QQ-N-290
- △4 COPPER PER ASTM B-152, ANNEALED
- △5 PRE-PRODUCTION - F.A.S.R. REQUIRED



----	△3	LOOSE PIECE	△5 2-31425-3
5000	△2	ON TAPE	2-31425-2
----	△2	LOOSE PIECE	31425
QTY	FINISH	PACKAGING	PART NO

AMP INCORPORATED CUSTOMER SERVICE SYSTEMS		MAX RECOMMENDED OPERATING TEMPERATURE: 170° C
FOR ADDITIONAL PRODUCT INFORMATION OR COPIES OF DRAWINGS AND TECHNICAL DOCUMENTS	PRODUCT INFORMATION CENTER 1-800-522-6752	VOLTAGE RATING: N/A
FOR APPLICATION TOOLING INFORMATION	TOOLING ASSISTANCE CENTER 1-800-722-1111	CIRCULAR MIL AREA: 0.1-0.41mm ² [202-810] STRANDED
FOR ORDER ENTRY	1-800-526-5142	THIS DRAWING IS A CONTROLLED DOCUMENT FOR AMP INCORPORATED. IT IS SUBJECT TO CHANGE AND THE CONTROLLING ENGINEERING ORGANIZATION SHOULD BE CONTACTED FOR THE LATEST REVISION.

THIS DRAWING IS A CONTROLLED DOCUMENT.		DWN TA BRINKMAN 2-2-93	Tyco Electronics Corporation Harrisburg, Pa 17105-3608	
DIMENSIONS: INCHES		CHK DA PATTERSON 2-2-93		
TOLERANCES UNLESS OTHERWISE SPECIFIED:		APVD DA PATTERSON 2-2-93	NAME TERMINAL, RING TONGUE, BUDGET WIRE SIZE 26-22 AWG	
0 PLC ± - 1 PLC ± - 2 PLC ± - 3 PLC ± - 4 PLC ± - ANGLES ± -		PRODUCT SPEC -	SIZE A2	
MATERIAL COPPER △4		FINISH SEE TABLE	CAGE CODE 00779	DRAWING NO C=31425
		WEIGHT -	RESTRICTED TO -	
		CUSTOMER DRAWING	SCALE 10:1	SHEET 1 OF 1
			REV F	